

CantoUSA is the trusted name in modern follow spots. Bright, modular, and ease of use are the trademarks of this economical line of units that can go anywhere and perform multiple tasks. The design is simple and elegant with ergonomic handling and easy to understand labeling. It's all-in-one ordering system guarantees that the unit is delivered with everything needed to plug the fixture into the wall and begin your show. CantoUSA followspots are great for schools, universities, professional theater, touring and houses of worship.

Whats in the Box

- Follow Spot Fixture
- Douser Iris
- Iris
- Tripod Stand
- 5 Color Boomerang
- Electronic Power Supply
- Power Cable
- 15 Amp Edison
- 7.25" Round Gel Pack (5 Colors)
- 28mm Spigot
- Assurance that it works!

Accessories/Options

- Additional Color Frames
- Spare Iris Diaphragm
- Gobo Holder (A or B)
- Spare 5 Color Boomerang
- Standard Black Stand Tripod
- Optional HD Bearing Head Tripod
- Tripod Casters
- One Handed Iris/Douser Controller
- Custom Flight Case
- Custom Permanent Floor Stand
- Truss Mount Pan Bearing Adaptor
- Over Hung Yoke
- 28mm Spigot
- TelRad
- Shutter Blades

Unit Stats

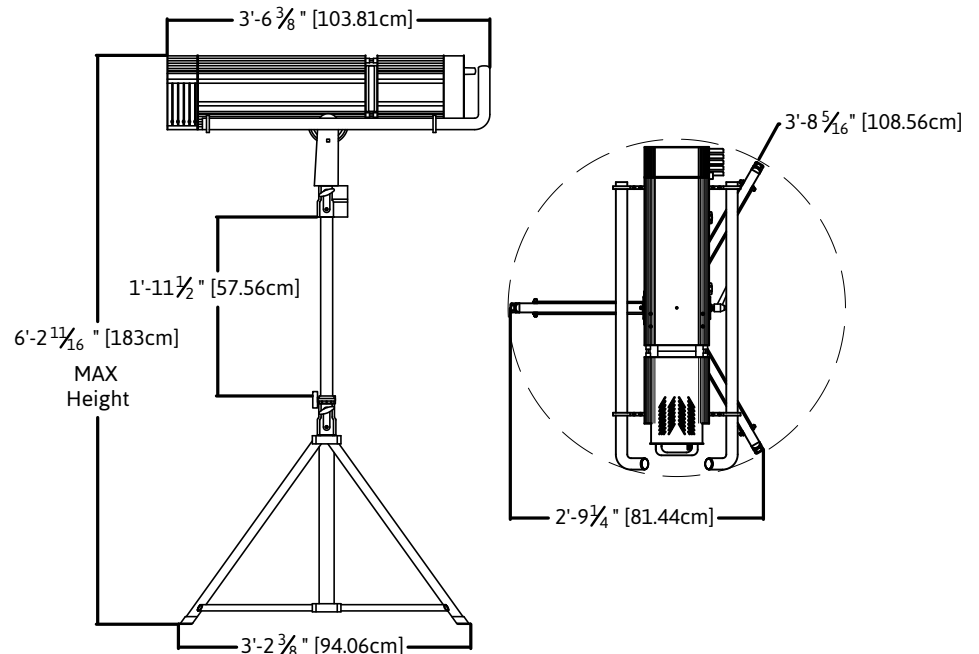
- Double Condenser+ Zoom
- Internal Ballast
- 8° to 22° Zoom
- 120V-240V
- Head 44 lbs.



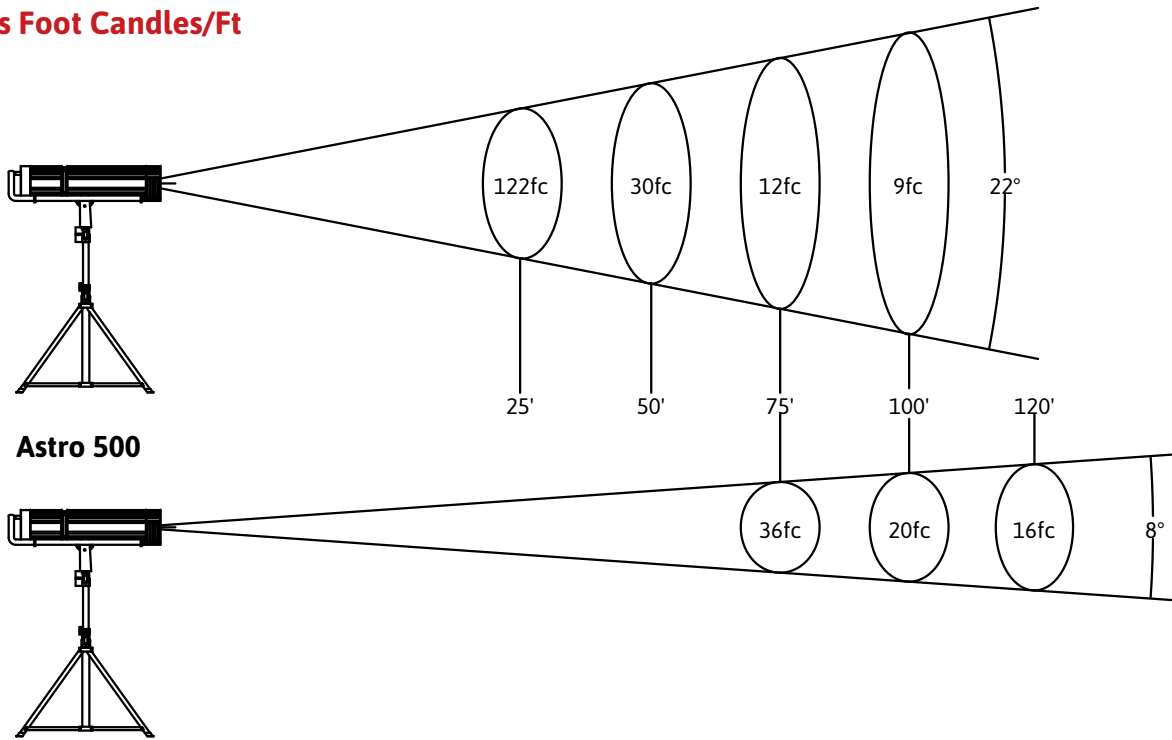
Lamp Types

LED	3200/5600/6500K	50000 Hours
-----	-----------------	-------------

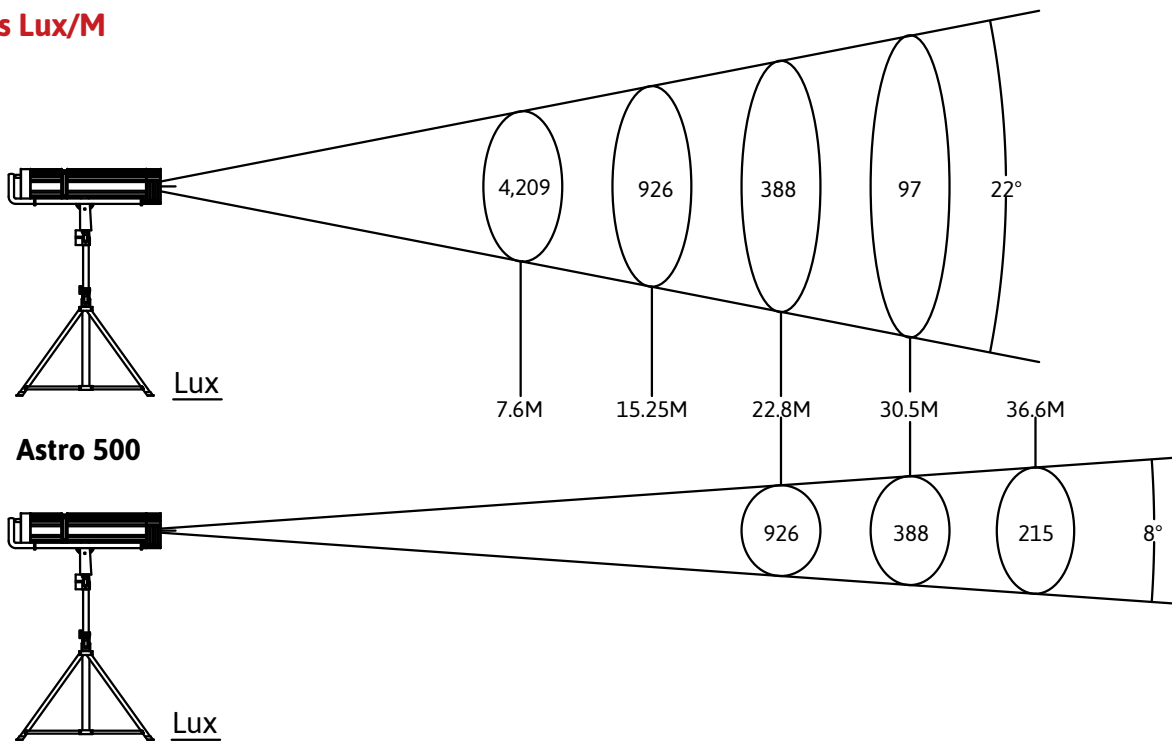
Dimensions



Photometrics Foot Candles/Ft



Photometrics Lux/M



* Photometrics are an average of 3 readings taken in a real world small theater application.
 * Light readings measured with a Sekonic C-700 U Spectromaster Color Meter.
 * Measurements were taken with a new fixture.