

# RETRO-Fusion™ 700

700W Incandescent Replacement LED Engine  
120V • 277V • 240VAC • CSA

## Energy efficient LED Light Engine

Designed to retrofit directly into existing fixtures.

The RETRO-Fusion is a CSA listed, Energy Star 2.0 retrofit kit that rapidly transforms existing inefficient incandescent fixtures into energy efficient LED fixtures. Our patented technology allows the fixture to smoothly dim from 0-100% utilizing existing dimming technology. Retrofit kits are available with a variety of options for both recessed and pendant style fixtures. Installation is as easy as changing a light bulb. Our LED technology creates even fields and delivers consistent color. The RETRO-Fusion 700 delivers more light than most 700 watt incandescent bulbs it replaces with only a 72 watt load.

**10 Year  
LED Array  
Warranty**



### What the RETRO IS

- More cost effective than fixture replacement
- Large lumen output for this section of the market
- Listed for screw in replacement
- Energy Star certified 2.0
- Dims on existing dimming systems with no additional installation of control system
- 0-100% dimming without flicker, pulse, or stepping
- 80+ High CRI

### Electrical Data

- 72 Watts (72.3)
- Power Factor (PF) .9955
- Lumens: 8107 @ 2700K
- Lumens per watt: 112.3
- LM 70: >50,000 Hours
- CRI@2700K: 81.11,R9+1.8
- 1 lb 15.1 oz w/Reflector

### Applications

- 10 feet to 60 feet high ceilings
- Where dimming is a key concern
- Where there is no desire or budget to replace existing fixtures
- Where access is limited
- Where Energy Star is required
- Where a custom solution is required
- Where the ceiling cannot be disturbed

### Typical Installations

- Auditoriums
- Houses of worship
- Arenas
- Lobbies
- Museums
- Educational facilities
- Convention centers

### Base Types

E26- Edison
E11- Mini Candelabra
Bare Wire
Bi Pin
Custom Options

### CCT Lumen Output

2700K: 8107 Lumens
3000K: 8489 Lumens
3500K: 8669 Lumens
4000K: 8769 Lumens
5000K: 8902 Lumens

### Fixture Lenses

Tall 15 Degrees
Tall 23 Degrees
Tall 46 Degrees
Short 26 Degree
Short 40 Degree
Short 59 Degrees
Short 70 Degrees
None 120 Degrees

### Color Temp

2700K -
3000K - Standard
3500K -
4000K -
5000K -

### Order Guide

-  -  -  -  -  -

Base Type	Length of Stem Lift Plate (1/2")	Color Temp	CRI*	Optics	Accessories	Warranty
EB- Edison (E26)		2700K	80 is standard	Tall 15	PAR46 Ring	10 Year LED Array
MC- Mini Candelabra (E11)	<b>E11</b>	3000K	80, 90, 97	Tall 23	PAR56 Ring	3 Year Standard
BW- Bare Wire	<b>E26</b>	3500K	80, 90, 97	Tall 46	PAR64 Ring	+1
	1 3/4"	4000K	80, 90	Short 26	Diffuser	+2
	2 3/4"	5000K	80, 90, 97	Short 40	(E39) Mogul Adaptor for E26	+3
	4"		80, 90	Short 59	BA15D	
	Custom Bare Wire Include Length			Short 70	E26 Extender	
				NONE- 120 Degrees	Adjustable Par Ring (56)(64)	
					Custom - Include .dwg or .pdf	

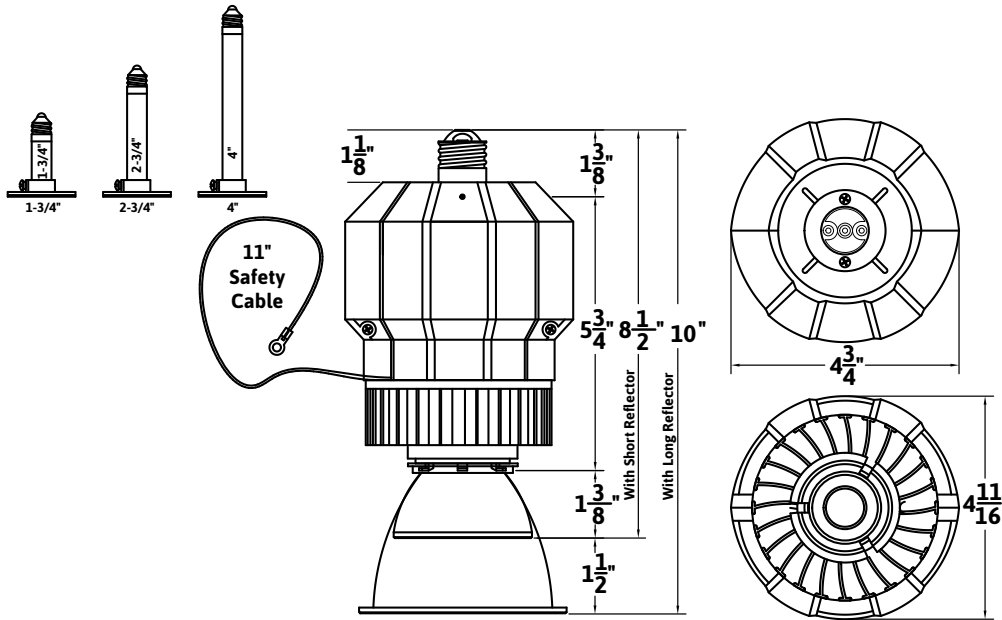
\* Chips with a CRI greater than 80 are an additional 6 weeks beyond standard delivery



# RETRO-Fusion™ 700

700W Incandescent Replacement LED Engine  
120V • 277V • 240VAC • CSA

## Fixture Drawing



Weight: 1lbs 15.1oz w/Reflector

## Photometrics (R700) 3,000K

Multiplication Factor for Color Temperature

- to convert to 2,700 Kelvin - fc X .9488
- to convert to 3,500 Kelvin - fc X 1.0196
- to convert to 4,000 Kelvin - fc X 1.0439
- to convert to 5,000 Kelvin - fc X 1.0617

To Solve Footcandles  
Over A Distance

To Solve Area Over A  
Distance

Peak Output  
(Distance X Distance)

Distance X Mult.Factor

Mult. Factor Distance	26° Diameter	Peak Output Foot Candles	Mult. Factor Distance	40° Diameter	Peak Output Foot Candles	Mult. Factor Distance	59° Diameter	Peak Output Foot Candles	Mult. Factor Distance	70° Diameter	Peak Output Foot Candles
8'	4'	331	8'	6'	204	8'	9'	130	8'	11'	73
10'	5'	216	10'	7'	134	10'	11'	85	10'	14'	48
20'	9'	51	20'	15'	32	20'	23'	21	20'	28'	11
30'	14'	22	30'	22'	14	30'	34'	9	30'	42'	5
40'	18'	12	40'	29'	7	40'	45'	5	40'	56'	2
Mult. Factor Distance	15° Diameter	Peak Output Foot Candles	Mult. Factor Distance	23° Diameter	Peak Output Foot Candles	Mult. Factor Distance	46° Diameter	Peak Output Foot Candles	Mult. Factor Distance	120° Diameter	Peak Output Foot Candles
8'	2'	600	8'	3'	400	8'	7'	142	8'	28'	46
10'	3'	310	10'	4'	262	10'	8'	100	9'	31'	38
20'	5'	90	20'	8'	61	20'	17'	21	10'	35'	30
30'	8'	39	30'	12'	26	30'	25'	10	12'	42'	21
40'	11'	22	40'	16'	14	40'	34'	5	15'	52'	13
									20'	69'	7

Contact your local representative or dealer for IES files.

